

Air Switch

5000.00

A compact and reliable, enclosed air operated micro-switch for switching rectifiers. Switch meets approved electrical requirements with a rating of 15A @ 115-240 VAC. Operating pressure range is 2" to 10". Furnished complete with 36" of 1/4" I.D. neoprene tubing. Wired out 36" with 14/3 SJO cable.

1-7/8" H x 5-3/4" W x 3" D



AC Console Control System

5005.00

AC power control system to manage the switching of console and chamber components. Provides 4 switched and 4 unswitched 110 VAC outlets as well as 12 volts DC for control and general-purpose use. Can be activated locally with a switch contact located on the organ console or remotely with 12 volts.

9" L x 7-1/2" W x 2-1/2" H



OSI Switching Power Supply

UL and CE Approved DLS series power converter for solid state applications converts 120 nominal VAC to 13.6 VDC. Adjustable to 14.6 UDC. Compact, versatile design. Protection features include: Reverse Polarity Protection; Brown-out Input Protection; Over-Current Protection; Over-Temperature Protection and Silent Operation. 75A Model with Nema 5-20 Plug.



	Model	Input VAC	Input Fuse	Output (amps)	DC Output @ Full Load	OA H. W. D.
5025.15	PS-15	108-132	1-30A	15	13.4-14.0	6.45" W x 7" L x 3.42" H
5025.30	PS-30	108-132	1-30A	30	13.4-14.0	6.45" W x 7" L x 3.42" H
5025.55	PS-55	108-132	2-30A	55	13.4-14.0	6.45" W x 7" L x 3.42" H
5025.75	PS-75	108-132	2-40A	75	13.4-14.0	6.45" W x 10" L x 3.42" H

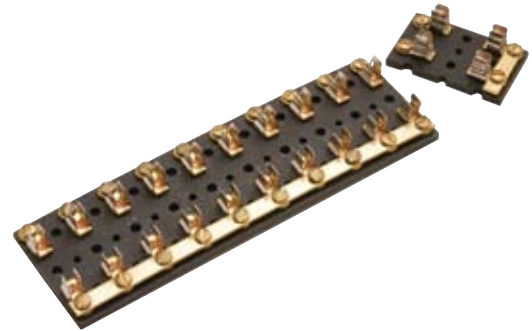
Fuses

Fuses used for individual organ circuits and replacements for OSI Ferro-Resonant and Astron Rectifiers, and Chime components. UL and CSA listed.

	Size	Use	Function	Amperes	Volts
5020.05	GMC 5	Astron Rectifier	Input	5	250 VAC
5020.08	GMC 8	Astron Rectifier	Input	8	250 VAC
5020.10	GMC 10	Astron Rectifier	Input	10	250 VAC
5020.11	ABC 6	Astron Rectifier	Input	6	250 VAC
5035.05	MTH 5	F-R Rectifier	Input	5	240 VAC
5035.10	GLH 10	F-R Rectifier	Input	10	120 VAC
5035.30	BAF 30	F-R Rectifier	Output	30	10-15 VDC
5036.30	ATC 30	OSI Power Supply	Output	30	32 VDC
5036.40	ATC 40	OSI Power Supply	Output	40	32 VDC
5051.01	AGC 0.1	E-M Chime Relay		0.1	125 VAC
5051.06	AGC 6	Organ Circuits Chime Rail		6	250 VAC
8510.01	MDQ 1	General	Time Delay		250 VAC
5035.03	AGC 3	General	Input	3	250 VAC

Fuse Holder

- 5050.10** One-piece, 10 pole design mounted on 3/8" fibre board. Fuse clip mounting with heavy common buss. Rated 6 Amp. May be cut to length as required. 7-3/8" L x 2-1/4" W



Fuse Holder 6A

- 5050.12** One-piece 12-pole design, break apart unit for individual or group usage. Terminals for spade clip or solder connections. Screw mounting. UL-94 VO flammability rating, CSA listed. Uses 5051.06 6A fuse.



Individual block 2-1/4" L x 1/2" W x 9/16" H,
12 unit block 7-3/8" L

PVC Spool Wire

Thinwall .010" PVC-covered copper wire designed for solid state applications. Sold by the spool only. Approximately 5000 ft. per spool (solid) 1000 ft. per spool (stranded)

	B & S Gauge	Color	Construction
5122.00	22	White	Solid
5124.00	24	White	Solid
5126.00	26	White	Solid
5126.01	26	Blue	Solid
5126.02	26	Green	Solid
5126.03	26	Red	Solid
5126.04	26	Yellow	Solid
5126.05	26	Black	Solid
5127.00	26	White	Stranded
5127.01	26	Blue	Stranded
5127.02	26	Green	Stranded
5127.03	26	Red	Stranded
5127.04	26	Yellow	Stranded
5127.05	26	Black	Stranded

5128.00	DISCONTINUED		
5128.01			
5128.02	28	Green	Solid
5128.03	28	Red	Solid
5128.04	28	Yellow	Solid



PVC Chime Cable

Because of the higher current requirements of chime coils, all chime cables are specially constructed from 18 or 22 gauge wire. All wire is color coded for ease of installation. It is recommended that 22 gauge cable be used between chime actions and keyboard, underkey contacts, or relay assembly to avoid line voltage drop and soft chime notes.

	Description	No. Conductors	B & S Gauge
5160.08	Volume control/transformer cable	8	18
5160.21	21 note chime cable	25	22
5160.25	25 note chime cable	30	22
5160.40	37 note chime cable	40	22

Bare Copper Wire

Used for common feed or return wires.

	B & S Gauge	Construction
5200.12	12	Solid
5200.14	14	Solid
5200.16	16	Solid
5205.10	10	Stranded
5205.12	12	Stranded
5205.14	14	Stranded
5205.16	16	Stranded
5205.18	18	Stranded
5205.20	20	Stranded

PVC Cable

PVC insulated and jacketed 24 B & S gauge wire for general organ wiring. Twisted conductors in pairs with cross-referenced band-marked color code system. Cable is flexible and easy to install.

	No. Conductors	Wt. Per 100'
5150.08	8	2 lbs
5150.12	12	3 lbs.
5150.24	24	5 lbs.
5150.32	32	6 lbs.
5150.50	50	10 lbs.
5150.64	64	11 lbs.
5150.99	100	18 lbs.
5150.01	Color code chart	



Insulated Copper Wire

Used for DC main wiring.

	B & S Gauge	Construction	Color
5210.06	6	Stranded	Black
5210.07	6	Stranded	White
5210.08	8	Stranded	Black
5210.09	8	Stranded	White
5210.10	10	Solid	Black
5210.11	10	Solid	White
5210.12	12	Solid	Black
5210.13	12	Solid	White
5210.14	14	Solid	Black
5210.15	14	Solid	White

Insulated Hookup Wire

PVC covered in 100 ft. spools.

	B & S Gauge	Color
5220.18	18	Black
5220.20	20	White

Braided Copper Wire

Flexible, flat braided copper wire, useful for flexible mains.

Size

5230.01	1/16"
5230.02	1/8"
5230.03	3/16"
5230.04	1/4"
5230.05	5/8"

Phosphor Bronze Wire

36" straight lengths except * which are coiled stock.

	B & S Gauge	Inches	mm
5300.08	8	.1284	3.2636
5300.09	9	.1144	2.9065
5300.10	10	.1018	2.5880
5300.11	11	.0907	2.3048
5300.12	12	.0808	2.0525
5300.13	13	.0719	1.8278
5300.14	14	.0640	1.6277
5300.15	15	.0570	1.4495
5300.18	18	.0403	1.0236
5300.20	20	.0319	.8118
5300.21	21 *	.0284	.7229
5300.22	22 *	.0253	.6438
5300.24	24 *	.0201	.5105
5300.26	26 *	.0159	.4048
5300.27	27	.0141	.3605
5300.28	28 *	.0126	.3210

Phosphor Bronze Strip**Size**

5310.01	DISCONTINUED
5310.02	DISCONTINUED
5310.03	.010 x 1/4"
5310.04	.027 x 1/8"
5310.05	.027 x 1/8" nickel plated

Copper Grounding Strip

5330.04	Easily installed soft copper grounding strip provides one wire installation of 60l magnets. The pressure sensitive adhesive is backed with release paper. It is readily soldered for permanent electrical joints and is easily pierced to accept screws and solder lugs.
----------------	--

Size

.009" x 5/8" x 100'

Silver Wire

36" straight lengths, 90% coin silver.

	B & S Gauge	Inches	mm	Used For
5400.21	21	.0285	.723	Buss Bars
5400.22	22	.0253	.643	Expression Rollers
5400.24	24	.0201	.511	Pedal Contacts
5400.26	26	.0159	.404	
5400.27	27	.0142	.361	Manual Contacts

Silver Strip

5410.00 .010" x .123" in coil, 90% coin silver.

Channel Silver

5420.00 "U" shaped channel for contact plates,
90% coin silver.

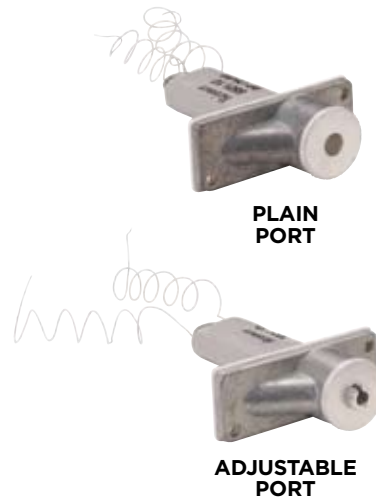
REISNER CHEST MAGNETS

For over three quarters of a century the Reisner chest magnet has been the standard of the industry. It is undeniably the finest and most widely used magnet built for electro-pneumatic chests. Reisner chest magnets are offered in several versions for differing applications. All are dimensionally interchangeable, have die-cast bodies with precision wound 12-16 VDC coils wrapped for protection, and are terminated with 6" stranded and tinned leads. Two mounting holes accept No. 4 x 5/8" screws. Coils for 24 VDC operation are available.

REISNER Standard Chest Magnets

The standard chest magnets are available with plain or adjustable ports and with a variety of coil ohmage. These magnets operate well in vertical or horizontal position. 5501.08 armatures are electro-plated iron. The top side of each armature is paper gasketed to seal against the base cap, the bottom smooth surface seals against a resilient gasket mounted in the base. The aluminum base cap has a .234" Ø port for low pressure operation or a .150" Ø adjustable screw port regulating armature travel for high pressure use.

	Description	Ohms	Port
5501.10	#25 Chest Magnet	90	Plain
5501.12	#25A Chest Magnet	90	Adjustable
5501.20	#70 Chest Magnet	125	Plain
5501.22	#70A Chest Magnet	125	Adjustable
5501.30	#65 Chest Magnet	150	Plain
5501.32	#65A Chest Magnet	150	Adjustable
5501.40	#75 Chest Magnet	180	Plain
5501.42	#75A Chest Magnet	180	Adjustable
5501.50	#65-3 Chest Magnet	300	Plain
5501.53	#65-3 Chest Magnet (for 12 VDC or 24 VDC operation)	300	Adjustable



5501.08 Armatures for Chest Magnets & Adj. DVAs. .437 Ø



5502.56 Chest Magnet Donut Gasket.

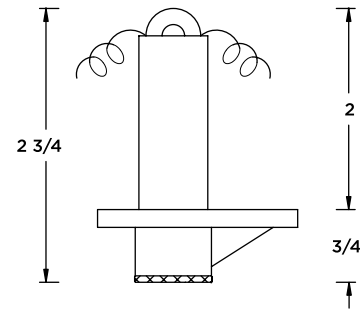


5501.70 Chest Magnet Base Gasket.

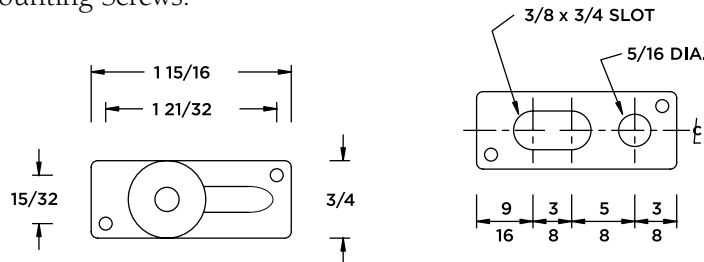


5502.09 Chest Magnet Cap, Plain Port.

5502.10 Chest Magnet Cap, Adjustable Port.



7604.54 No. 4 x 5/8" PH Phillips Mounting Screws.



REISNER CHEST MAGNET LAYOUT PATTERN

REISNER Top Note Magnet

The standard Reisner chest magnet with a counter-bored base screw is used to play small treble pipes. The foot of the pipe seats directly on the countersunk magnet cap. The 5501.09 armature, which acts as a valve, is held in place by a small coil spring, 60 ohm coil.



Pipe Hole

5909.10	1/8"
5909.12	3/16"

Performance Data Chart
on pages 5-18 & 5-19

REISNER Player Piano Magnet

5909.14	Designed to interface with piano and other vacuum actions. 1/8" brass nipple accommodates standard piano tubing and extends 1/2" from magnet cap. 60 ohm coil.
---------	--



REISNER C-17 Chest Magnets

The C-17 chest magnet features a flat base, special .563" diameter large armature paper gasketed on both sides, larger ports and latch-type cap. This magnet provides larger exhaust rate and is easily opened for cleaning. Operates best in vertical orientation.

Description	Ohms	Port
5511.10	90	.234
5511.12	90	.305
5511.20	150	.234
5511.22	150	.305

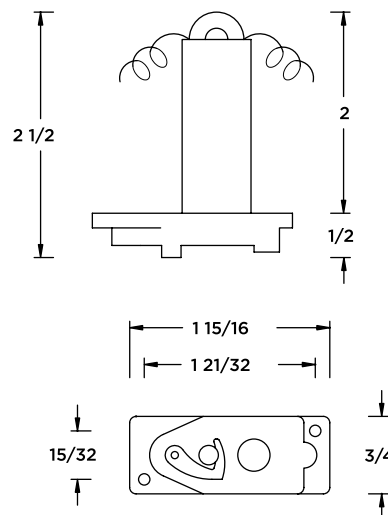
5501.09	Armatures for C-17 Chest Magnets & Standard DVAs. .542 Ø
---------	--



5501.70	C17 Chest Magnet Base Gasket.
---------	-------------------------------



7604.54	No. 4 x 5/8" PH Phillips Mounting Screws.
---------	---



REISNER 601 Direct Pallet Magnet

The Reisner 601 Direct Pallet Magnet is the original unit against which all other available electro-mechanical magnets are measured. With recent refinements, it is a state-of-the-art magnet. The factory-adjusted soft felt and leather valves are cemented to an aluminum valve carrier. The valve assembly is firmly attached to the armature, eliminating loose or wandering valves. Patented two-piece design of the armature hinge will not rust or bind, assuring fast and positive operation under all conditions. Adjustable spring return is centered over the armature, providing an in-line, direct pull. Electro-plated steel construction provides long life protection in a variety of climates. Two-screw mounting provides worry free installation. The precision wound coils are covered with high temperature tape and terminate in tinned solder lugs, one of which is grounded to the frame for easy connection to a common buss. Voltage range is 10-15 VDC. Coils for higher voltages and other ohmages are available. Mounts with No. 4 x 5/8" screws.

Ohms	Valve Size
------	------------

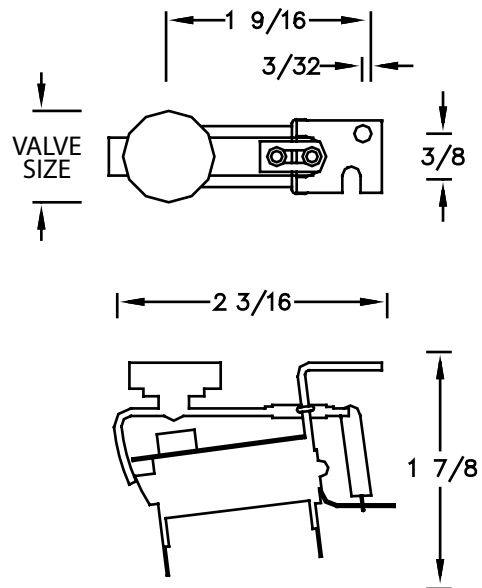
5521.08	40	5/8"
5521.10	40	3/4"
5521.12	40	7/8"
5521.14	40	1"
5521.16	40	1-1/8"
5521.18	40	1-1/4"
5521.20	DISCONTINUED	

5524.08	60	5/8"
5524.10	60	3/4"
5524.12	60	7/8"
5524.14	60	1"
5524.16	60	1-1/8"
5524.18	60	1-1/4"

5522.08	90	5/8"
5522.10	90	3/4"
5522.12	90	7/8"
5522.14	90	1"
5522.16	90	1-1/8"
5522.18	90	1-1/4"

5523.06	150	1/2"
5523.08	150	5/8"
5523.10	150	3/4"
5523.12	150	7/8"
5523.14	150	1"
5523.16	150	1-1/8"
5523.18	150	1-1/4"

5525.08	300	5/8" (24 VDC)
5525.10	300	3/4" (24 VDC)



5521.95 Install diodes on magnets.

5330.04 Copper Buss Strip. .009" x 5/8" x 100'

7604.54 No. 4 x 5/8" PH Phillips Mounting Screws.

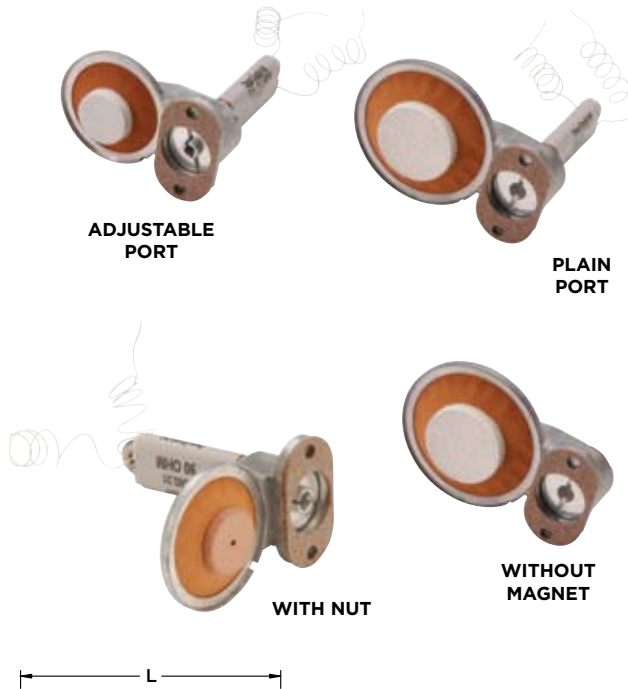
Performance Data Chart
on pages 5-18 & 5-19

Direct Valve Actions

The rugged die-cast Reisner DVA action combines a standard pouch with a built-in magnet, providing a self-contained electro-pneumatic note action. This combination delivers all the speech characteristics associated with a pipe hole opened by a pouch. Pouches are first grade pneumatic leather actuated by the dependable Reisner 90 ohm magnet. 3" minimum operating pressure for plain port magnets and 4" minimum for adjustable ports. The precision-wound coils are wrapped for protection and provided with 6" stranded and tinned lead wires for 12-16 VDC operation - 10" max WP. Coils for 24 VDC operation are available. Two mounting holes accept No. 6 x 5/8" screws.

The highly versatile DVA unit is available with a leather nut in place of the valve for operation of primary valve wires. Where the magnet is mounted remote from pouch, the DVA can be provided without armature and magnet for use as a pouch unit. Releathering service is available for older units.

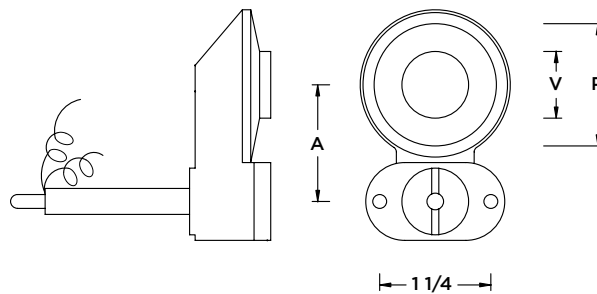
	Size	Valve	Port
5580.01	DVA-1P	3/4"	Plain
5580.02	DVA-2P	1-1/8"	Plain
5580.03	DVA-3P	1-1/2"	Plain
5580.11	DVA-1	3/4"	Adjustable
5580.12	DVA-2	1-1/8"	Adjustable
5580.13	DVA-3	1-1/2"	Adjustable
5580.21	DVA-1BP	Nut	Plain
5580.22	DVA-2BP	Nut	Plain
5580.23	DVA-3BP	Nut	Plain
5580.31	DVA-1B	Nut	Adjustable
5580.32	DVA-2B	Nut	Adjustable
5580.33	DVA-3B	Nut	Adjustable
5580.41	DVA-1A	3/4"	Remote
5580.42	DVA-2A	1-1/8"	Remote
5580.43	DVA-3A	1-1/2"	Remote



5501.08 Armatures for Chest Magnets & Adj. DVAs. **.437 Ø**



5501.09 Armatures for C-17 Chest Magnets & Standard DVAs. **.542 Ø**



5580.95 Releather DVAs, all sizes.

5580.98 Adjustable Cap Assembly (DVAs)

Valve Size(V)	Pouch Size(P)	A	L
3/4"	1-3/8"	1-5/16"	2-15/16"
1-1/8"	1-7/8"	1-9/16"	2-15/16"
1-1/2"	2-1/2"	1-7/8"	2-15/16"

Performance Data Chart
on pages 5-18 & 5-19

Pedal Pouch Units

These individual pedal pouches extend the range of the time-proven Reisner Direct Valve Actions into the 16' octave. The integrated DVA primary provides fast and quiet operation. They are designed for easy two screw installation over a single 5/8" Ø exhaust hole. A paper mounting template is provided for each size. 90 ohm magnet

Size	Valve	O.A. L x W x H	
5581.01	PPA-1	2"	4-1/4" x 5-7/8" x 4-3/8"
5581.02	PPA-2	2-1/2"	5" x 6-5/8" x 4-3/8"
5581.03	PPA-3	3"	5-3/4" x 7-3/8" x 4-3/8"

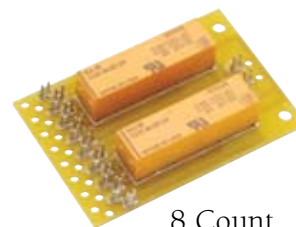


Solid State Relay

OEM replacement for the Reisner C5 series. Designed to mount on the same centers as the C5 units. Output current 4 Amperes. Spark suppression diodes installed



15 Count

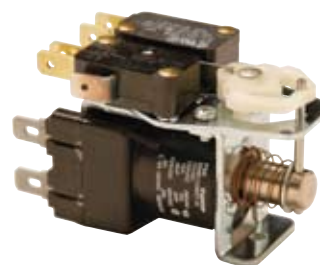


8 Count

	Position	Contacts	Replacement for
5531.02	Positive	15	5530.15
5531.04	Negative	15	5530.15
5531.06	DISCONTINUED		

Impulse, Bi-Stable Relay

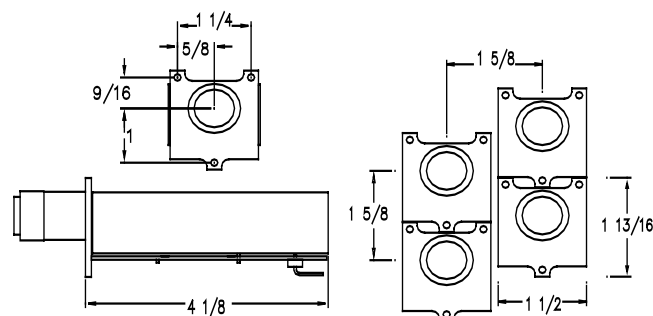
5535.00 A convenient electro-mechanical reversible DPDT relay. Single 23 ohm coil energizes reversing mechanism changing position with each impulse. 12 VDC coil, contacts rated at 15 amperes.



1-1/2" W x 1-7/8" H x 3" L

Drawknob

OSI Dual Magnetic Action Drawknob utilized single coil technology with optical isolation for stop control. Mounting options for either 3/4" or 1" jamb thickness available. Low combination system current load of 20mA @ 12 VDC eliminates the need for diodes or high current solid-state drivers. The solid-state switching device is capable of switching a 2 amp stop action load. Available with positive or negative coil common. Nominal coil load of 430mA @ 12.5 VDC. Unit includes header with plug (header may be direct terminate via "wire-wrap"). Linear movement of .675". May be supplied with drawknob engraved. Easily mounts with three #4 x 1/2" screws (not supplied).



	Jamb	Voltage
5725.01	3/4"	12V
5725.02	1"	12V
5725.03	3/4"	24V
5725.04	1"	24V

Action Magnets

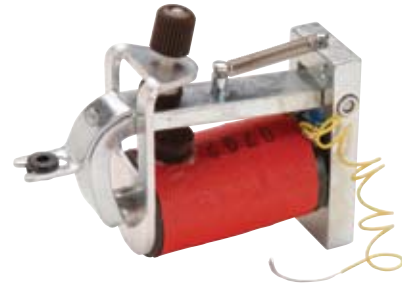
The Reisner 601A Action Magnet is based on the popular 601 magnet frame and armature; this unit adds a lug on the end of the armature, bored .094" Ø for installation and operation of action wires. Voltage range is 10-15 VDC. Coils for higher voltages and other ohmages are available. Two mounting holes accept No. 4 x 5/8" screws.



Ohms

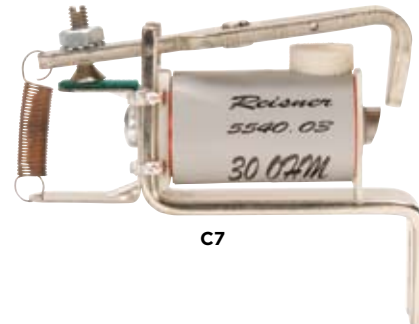
5521.40	40
5524.40	60
5522.40	90

- 5540.00** The Laukhuff Action Magnet is designed as a pallet pull-down action for direct operation of new slider chests and electrification of existing mechanical action chests. The off stop is adjustable. 30 ohm coil with VDR resistor, 12-14 VDC.



3" H x 3-1/4" L x 1-1/8" W

- 5540.03** The C7 Reisner Action Magnet is used in the construction of the all-electric switches and is readily adaptable for many purposes. The C7 series has a special adjustment for armature travel. 30 ohm coil.

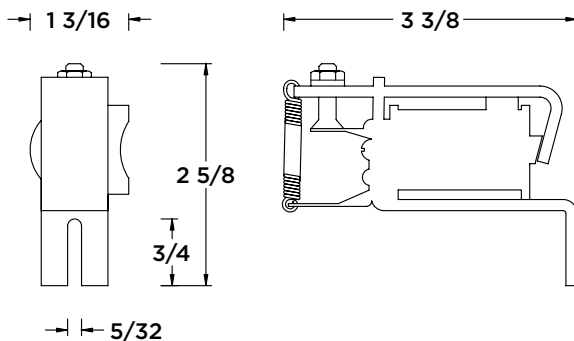


C7

- 5541.03** The Reisner W7 Action Magnet is identical to the C7 but without the armature adjustment. This magnet can be used where space is limited for installation and where the travel adjustment may be made externally. Interleaf spring. 30 ohm coil.



W7



Pick Magnet

5550.00

Designed for the original OSI tripper combination actions, this 35 ohm magnet is used for replacement work.

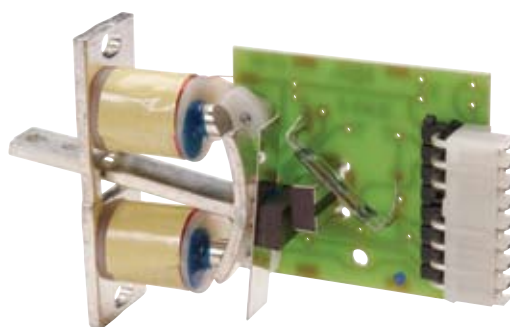
5/16" W x 1-1/2" L x 1-15/16" H



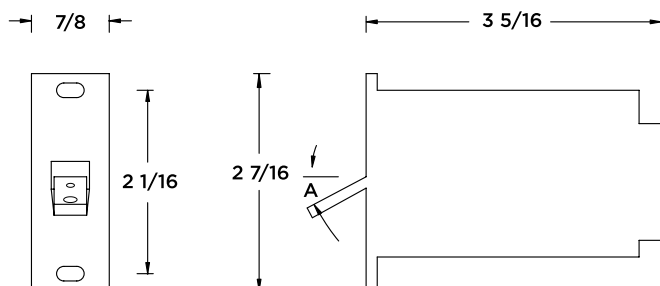
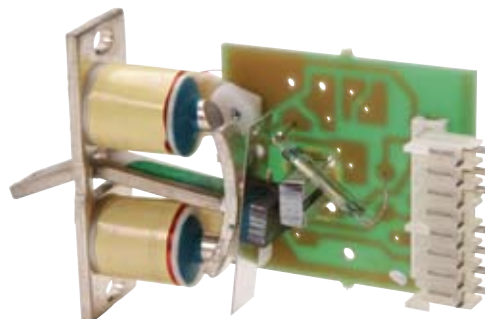
Stop Action Magnet

The Stop Action Magnet employs a magnetic toggle which also actuates the two .5A hermetically sealed reed switches. The 12-15 VDC coils are 28 ohms. Patented cam adjustment for key leveling. Three lever angles are available: straight, 15°, and 22°, measured in the off position using horizontal as reference. Lever accepts standard two-screw mount stop keys for secure mounting. Wiring header with connector furnished. 2-1/16" mounting centers.

2-7/16" H x 13/16" W x 3-5/16" D, including header.



	Application	Coil Ground	Armature Angle
5560.01	Tilting tablet	Positive	Straight
5560.02	Tilting tablet	Negative	Straight
5560.05	Tilting tablet	None	Straight
5565.01	Stop key	Positive	22°
5565.02	Stop key	Negative	22°
5566.01	Stop key	Positive	15°
5566.02	Stop key	Negative	15°
5560.51	Reed Switch for #612 Assembly 25/30 AT		

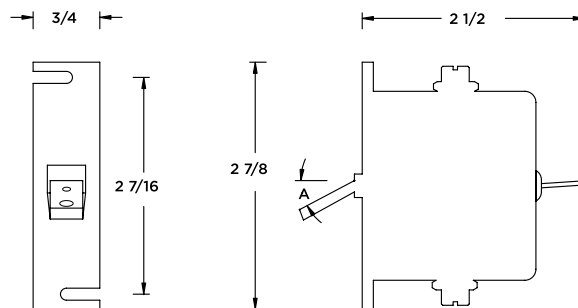
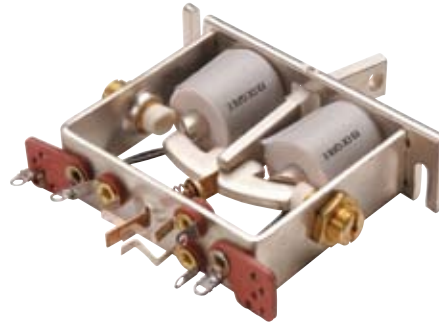


Stop Action Magnets, *REISNER*

The C3 Stop Action Magnet is the original Reisner electric stop key design for new or replacement work. Features include a nickel-plated frame, easily adjusted armature travel, 80% silver contacts, and polyethylene sleeve on armature. Supplied with or without 30 ohm coils for operation on 10-15 VDC, one "off" and two "on" contacts. Coils and stop contacts are independently grounded for use with positive or negative common. Choice of 19° or 32° armature measured as actual bend in the armature. The armature angles measured using the horizontal as reference in the off positions are 13° and 26°. Armature is provided with two screw holes for secure mounting of stop keys. Can be supplied with stop keys engraved and mounted.

Description	Armature		Coils	Contacts	
	Bend	Angle			
5566.19	C3-1M	19°	13°	2	3
5566.20	C3-1P	19°	13°	None	1
5566.32	C3-1E	32°	26°	2	3
5566.33	C3-1J	32°	26°	None	1

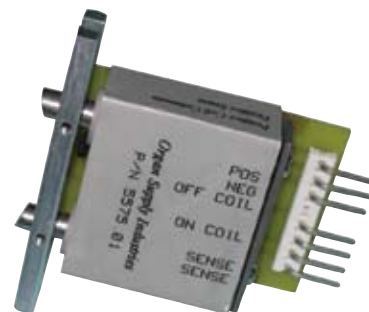
- 5566.90 Stop action mounting rail.
- 5566.95 Assemble stop key to stop action magnet.
- 5566.96 Assemble to stop action rail.



TILTING TABLET MAGNET

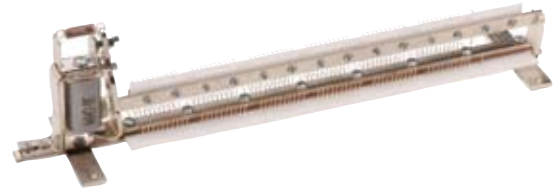
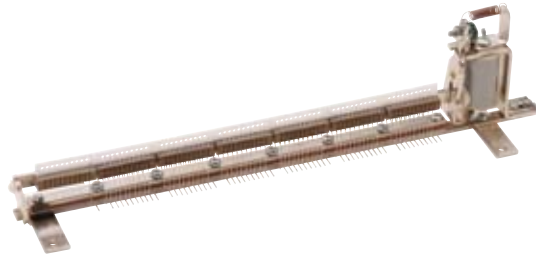
Magnet unit as supplied in OSI's Tilting Tablet Magnet Assembly. No moving parts. Switching via Hall Effect triggered, opto-isolated device capable of switching up to 2 amps. Nominal magnet operating voltage of 9 to 16 VDC with a coil resistance of 29 ohms. May be configured for positive or negative sense and positive or negative magnet common. Unit is magnetically shielded to eliminate interference. May be wired via IDC (insulation displacement connector) or direct wire-wrap termination.

Coil	Sense
5575.01	Positive
5575.02	Negative
5575.03	DISCONTINUED
5575.04	DISCONTINUED



Switches

The all-electric Reisner switch provides a compact, efficient and reliable means to handle all organ switching functions using standard electro-mechanical methods. The design includes an all metal, electro-plated frame with self-lubricating Celcon hinges at the ends of movable bars. Square sterling silver contacts, rated at .5 amperes at 15 VDC, are mounted on a movable bar, providing good wiping action against round silver buss bars. Contact blocks are individually replaceable. Switches are available with 10 to 120 contacts, singly or ganged and mounted, configured per specifications. The 30 ohm adjustable magnet operates on 10-15 VDC. Wiring guides provided for switch fingers and buss bars. Single switch is 3" W x 3-5/8" H. 8-1/2" to 19" length is determined by number of contacts.



Switch Dimensions

Switches or Spaces	W	Number Contacts	L
1	3"	10-30	8-1/4"
2	4-1/4"	31-40	9-3/4"
3	5-1/2"	41-50	11-1/4"
4	6-3/4"	51-70	14-1/4"
5	8"	71-80	16"
6	9-1/4"	81-90	17-3/8"
7	10-1/2"	91-100	19"
8	11-3/4"		
9	13"		
10*	14-1/4"		

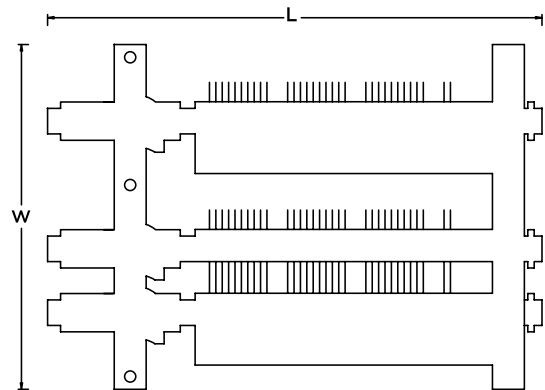
* Each additional switch or space adds 1-1/4" to width.

Contacts

5601.12	12
5601.25	25
5601.32	32
5601.49	49
5601.61	61
5601.73	73
5601.90	Replacement 10 finger blocks for switches.
5601.91	Diode mounting strip, only.

Typical Ganging Chart

Starting Pitches		Manual Position	Pedal Position
32'	16'		1-32
21-2/3'	10-1/3'		8-39
16'	8'	1-61	13-44
12-4/5'	6-2/5'	5-65	17-48
10-2/3'	5-1/3'	8-68	20-51
8'	4'	13-73	25-56
6-2/5'	3-1/5'	17-77	29-60
5-1/3'	2-2/3'	20-80	32-63
4'	2'	25-85	37-68
3-1/5'	1-3/5'	29-89	41-72
2-2/3'	1-1/3'	32-92	44-75
2'	1'	37-97	49-80
1-3/5'		41-101	
1-1/3'		44-104	
1'		49-109	



Diodes

Diodes are used for arc suppression and circuit isolation.

	Amperes	Use
5800.00	1N4004 1	General purpose
5801.00	1N4007 2.5	Heavy duty use

Electrical Tape

General purpose or fire retardant, cloth backed friction tape is used as wire harness wrap. Fire retardant tape is UL approved.

Size	Use
------	-----

5810.01
5810.02

DISCONTINUED

5810.03 3/4" x 100' Flame Retardant-
(not UL approved)

Electrical Contact Cleaner

5820.00 Contact cleaner and lubricant spray removes contaminants such as grease, dirt, dust, and oxidation residue and leaves behind a microscopic corrosion-proof film. 11 oz. spray can comes complete with extension tube. Nonflammable.

Junction Board

The solid-wood junction board is the traditional way to join two cables. The 16 ga. headless brass escutcheon pins in groups of 12 are compatible with wire wrap tools. A wiring guide is incorporated on each side of the strip. The escutcheon pin adds 1/2" to height.

1-1/2" W x 7/8" H

Notes	Length
5900.12 12	5-1/2"
5900.24 24	9-1/2"
5900.32 32	12-1/2"
5900.33 2 x 32	23-1/2"
5900.49 49	18-1/2"
5900.61 61	22-1/2"
5900.73 73	26-1/2"
5900.85 85	30-1/2"
5900.97 97	34-3/4"



Junction Plate

5910.00 The brass junction plate is a convenient terminal strip for organ commons. It is bored and tapped for ten No. 8 brass screws and two mounting holes. Appropriate screws, copper washers, and mounting spacers are furnished.

1/16" T x 1/2" W x 6" L



Lacing Cord

5920.00 Designed for lacing cables, this waxed nylon cord comes in 1 lb. spools.



Insulated Staples

Used to secure small cables and main wires. 100 pcs. per box.

No.	Size
5930.03	3
5930.05	5
5930.06	6
5930.07	7



TOP NOTE and DVA Performance Charts

GRAPH INTERPRETATION

Each graph line indicates the maximum pressure for each style magnet at any given voltage. Satisfactory operation may be obtained with any combination of voltage and pressure below the line of the selected magnet.

Magnets

Five (5) magnets of each valve size and coil resistance from stock were installed per normal practice in each test.

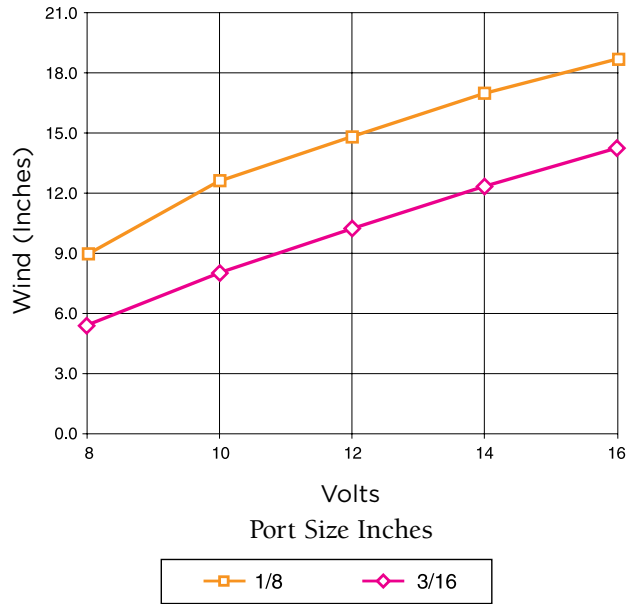
All magnets were installed on toe holes without restrictions that were 1/8" smaller than valve diameter.

Performance

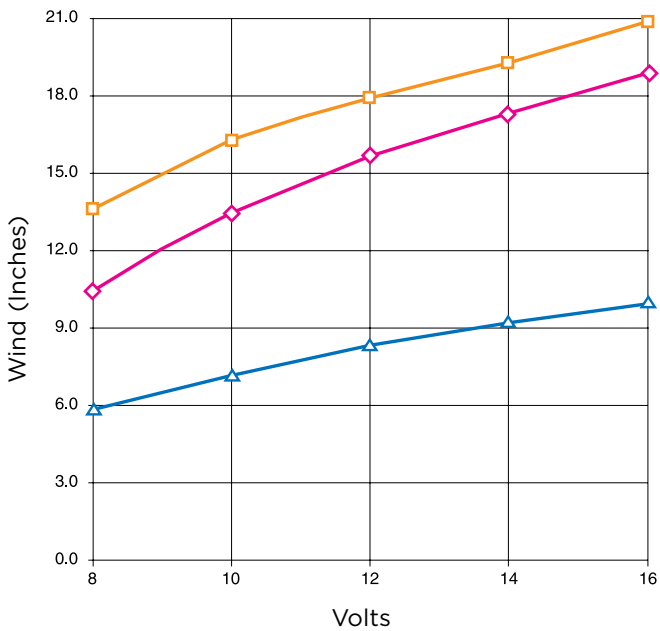
Magnets were operated on a 50% on and 50% off cycle at the highest practical repetition rate.

At each given voltage the pressure was increased until the magnet failed to fully open for each cycle. Of the five magnets, the one with the lowest cutoff pressure dictated the maximum pressure for the voltage for the group.

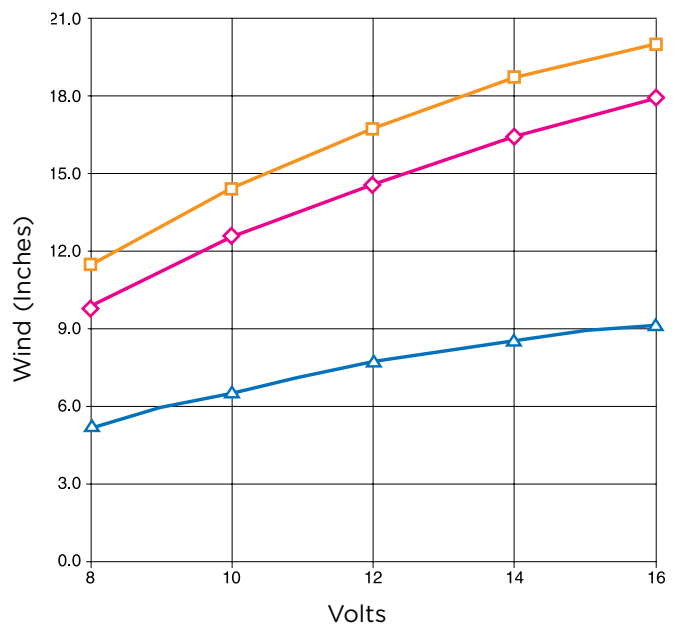
TOP NOTE MAGNET
Maximum Operating Wind Pressure



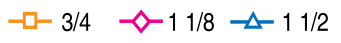
Adjustable DVA



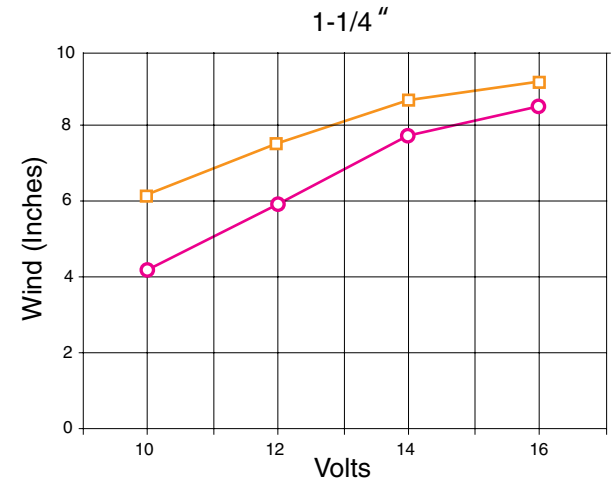
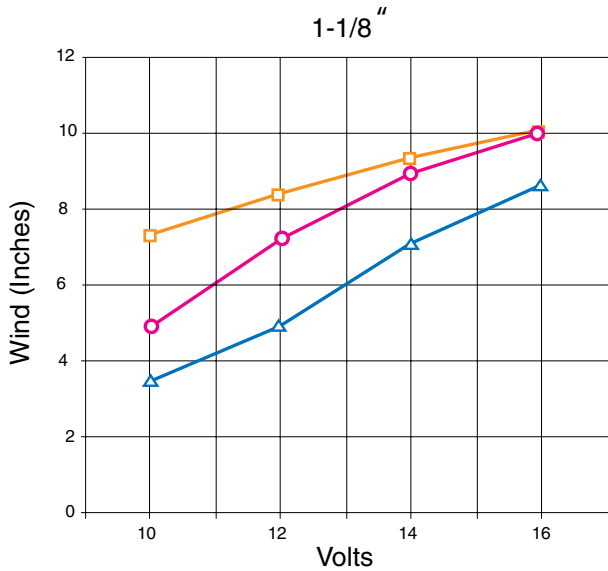
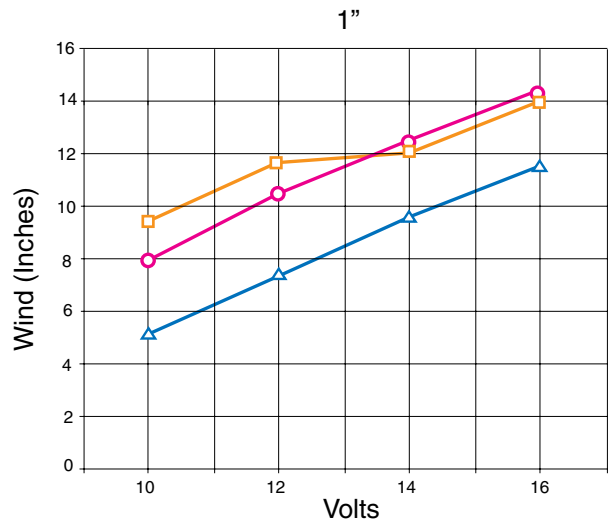
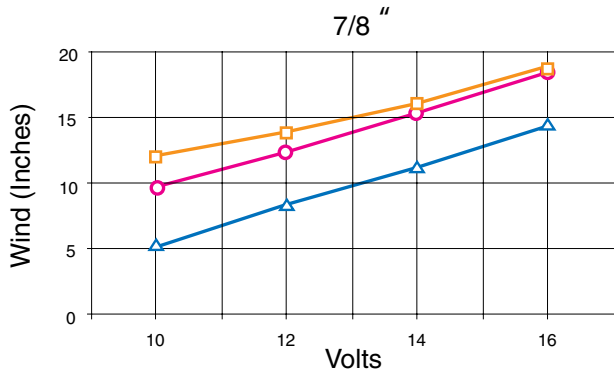
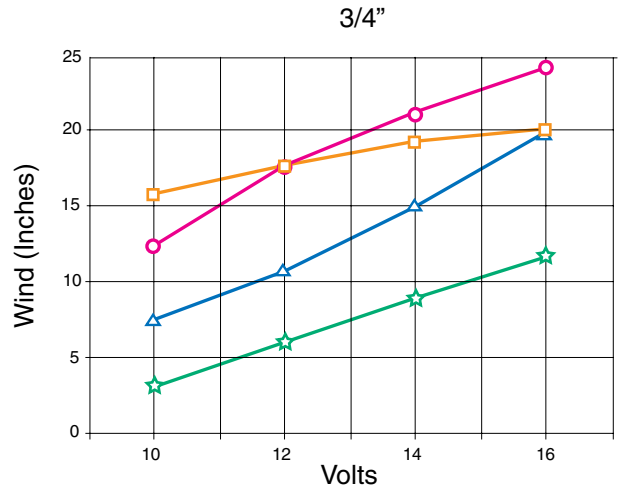
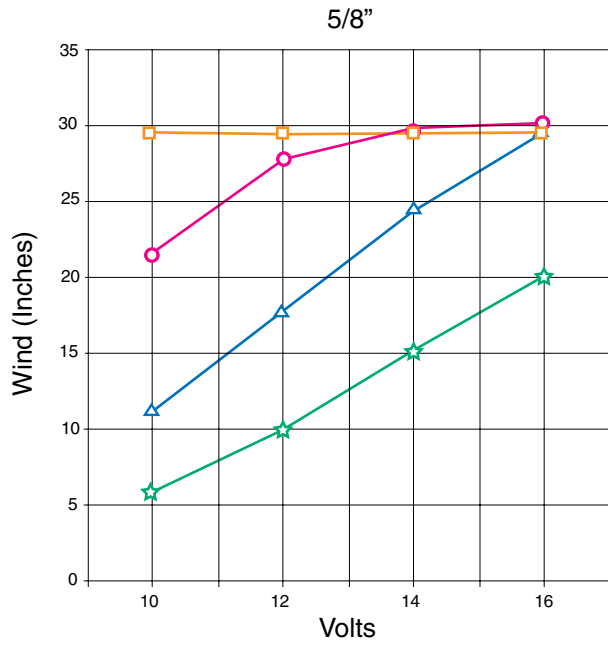
Plain Port DVA



Valve Size Inches



60I Performance Charts



☆ - 150 Ohm △ - 90 Ohm ○ - 60 Ohm □ - 40 Ohm