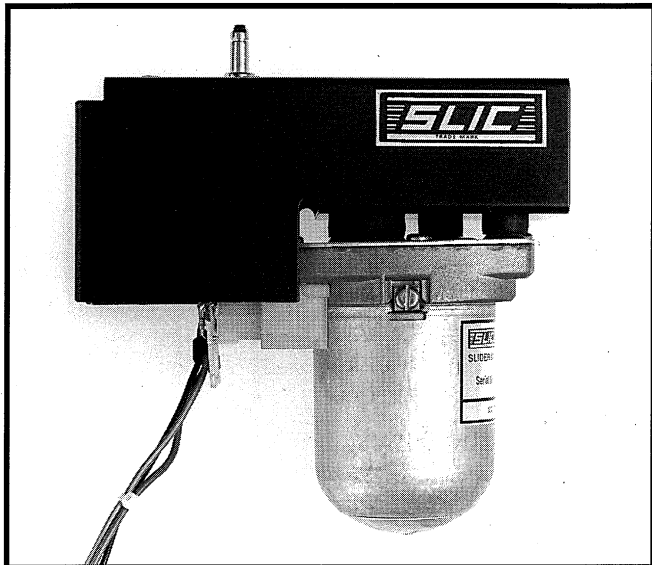


*If you build or Service organs with
slider chests or mechanical couplers*

YOU MUST READ THIS !!



- # **Easy installation** (just one screw)
- # **Powerful action** – 17lbs/1 inch
(No end stops required)
- # **Single wiring** – plug-in solid-state
control card
- # **Reliable** – more than 7,000 in
use world wide – 5 year warranty

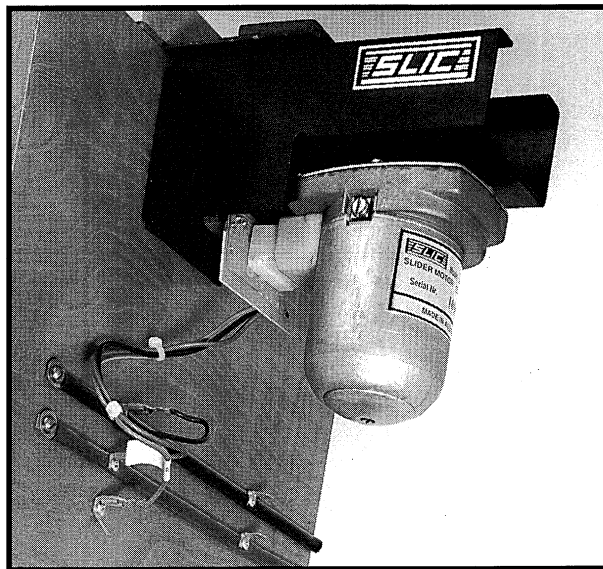
The SLIC 400c SLIDER MOTOR

DESIGNED BY ORGAN BUILDERS, FOR ORGAN BUILDERS

For stop sliders and mechanical couplers.
The easy replacement for those cumbersome
pneumatic machines and the perfect answer
for use with solid-state capture systems.

Mechanical Couplers – Yes!

Smooth, powerful and accurate movement
and the SLIC 'Inert hold' feature is ideal
for the operation of mechanical couplers.



***Available North America –
exclusively from:***



model **400c**

1700.00 SLIDER MOTOR



**ORGAN
SUPPLY
INDUSTRIES**

PO Box 8325 – Erie PA 16505



model 400c

1700.00 SLIDER MOTOR

Fig. 1

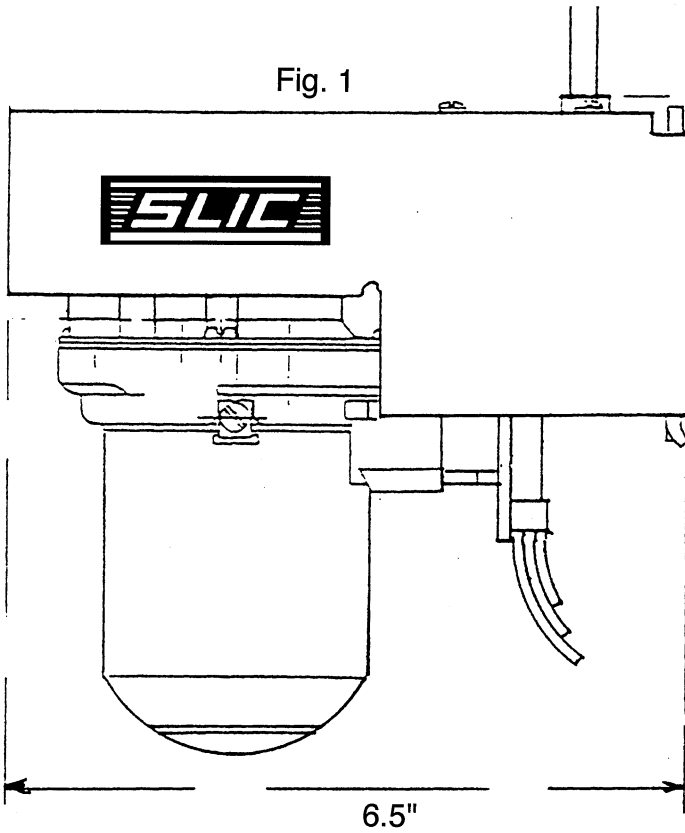
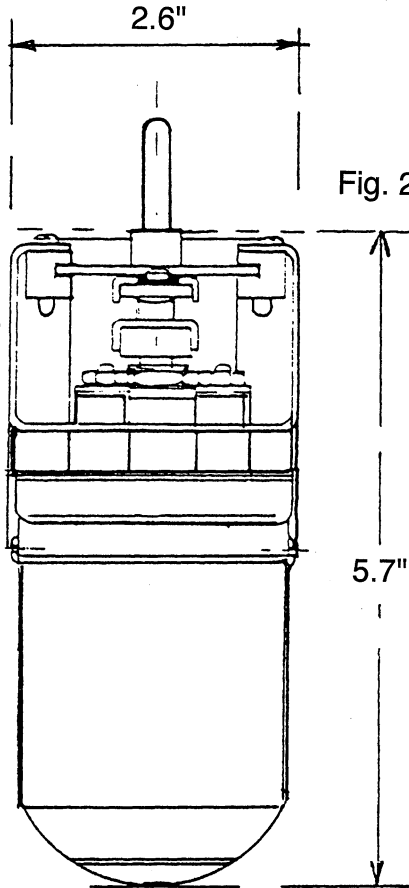
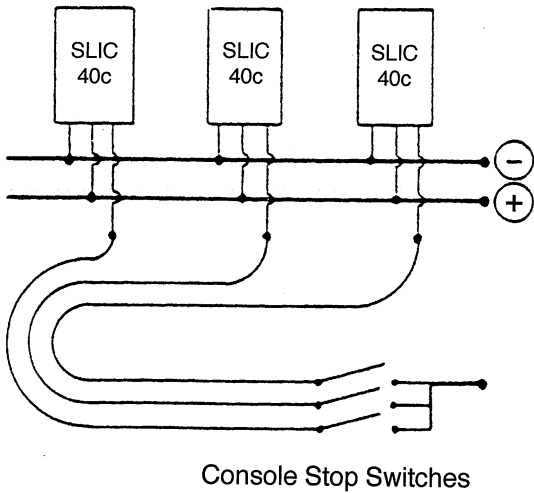


Fig. 2



WIRING DIAGRAM



Console Stop Switches

(d)

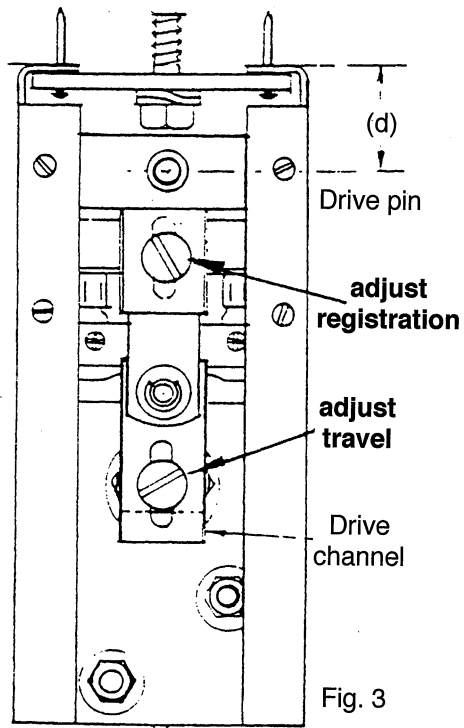


Fig. 3

Voltage	12<16vdc.
Stop switch current	2<4. ma.
Drive current (Average)	2.5 A
Holding current	nil.
Operating time(Ave.)	0.2 sec.

Pull	17lbs
Travel (adj.)	3/8" - 1.1/2"
Accuracy	+/- 0.015"
Registration adj.	1/2"
Weight	3lbs.

ALSO AVAILABE IN MODEL 332 FORMAT AS MODEL 332C