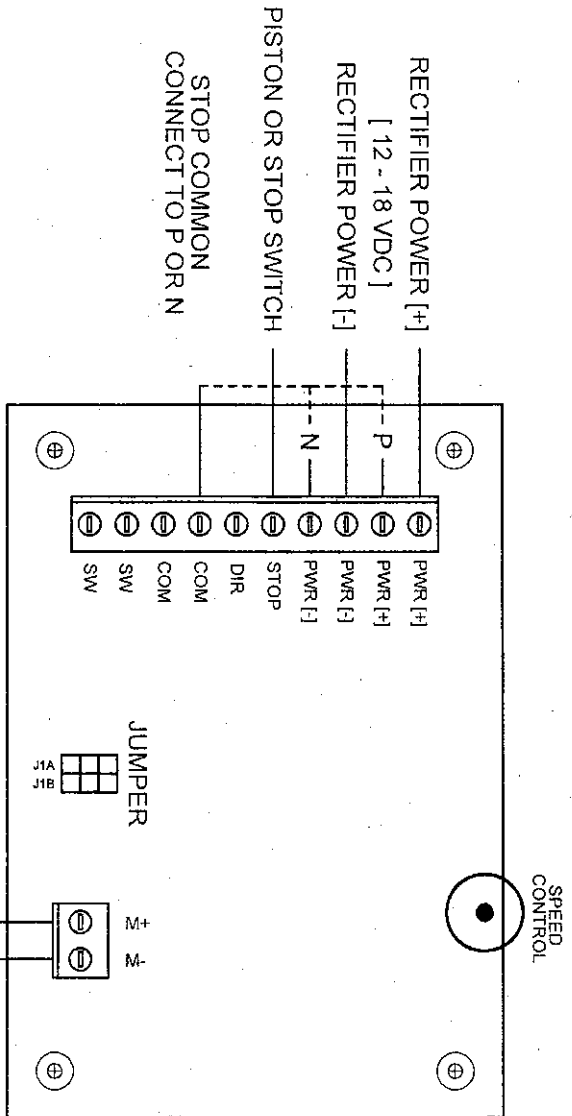


**ORGAN SUPPLY INDUSTRIES, INC.**  
**GLOCKENZIMBEL WIRING INSTRUCTIONS**  
**PN 8508.11**



RECTIFIER POWER (+)  
 [ 12 - 18 VDC ]  
 RECTIFIER POWER (-)  
 PISTON OR STOP SWITCH  
 STOP COMMON  
 CONNECT TO P OR N

**JUMPER SETTINGS**

- |   |   |  |  |
|---|---|--|--|
| <br>J1A<br>J1B  | <br>J1A<br>J1B                                      | <br>J1A<br>J1B   | <br>J1A<br>J1B   |
| STOP CONTROL IS LATCH REVERSIBLE<br>STOPS WITH STOP CONTROL | STOP CONTROL IS ON / OFF<br>STOPS WITH STOP CONTROL | STOP CONTROL IS LATCH REVERSIBLE<br>STOPS ON A COMPLETE REVOLUTION | STOP CONTROL IS ON / OFF<br>STOPS ON A COMPLETE REVOLUTION |

**NOTE:**  
 MOTOR ROTATION CAN BE  
 CHANGED MANUALLY BY  
 REVERSING THE YELLOW  
 AND GREEN WIRE.